

Orthoralix<sup>®</sup> 8500 DDE

NEW *from* Gendex!

## Taking An Award-Winning Panoramic X-ray System To The Next Level

- Cone Beam 3-D Imaging Systems
- Panoramic X-ray Systems
- Intraoral X-ray Systems
- Digital Intraoral Sensors
- Digital X-ray Phosphor Plates
- Intraoral Cameras
- Imaging Software

**GENDEX<sup>®</sup>**  
Imaging Excellence Since 1893

# Orthoralix® 8500 DDE



# The New Panoramic Generation From Gendex



Building on the success of the award-winning Orthoralix 8500 DDE, Gendex is pleased to introduce the next generation panoramic x-ray system. The new 8500 DDE provides professionals with more capabilities at an amazingly affordable investment. Features such as Frontal and Lateral TMJ projections, improved patient positioning elements, and KINEMAGIC™ Articulated Motion Technology making this system ideal for any practice.

**Say hello to a new generation of panoramic imaging — only from Gendex!**

## ➔ Latest Technology

- Articulated kinematics and precise morphology following
- Motorized telescopic column making the unit extremely compact
- Digital CCD sensor captures high-quality images

## ➔ Enhanced Image Quality

- Latest software processing algorithms for clear radiographs
- Industry's smallest focal spot of 0.4 mm produces ultra-sharp images
- KINEMAGIC Articulated Motion Technology ensures consistent magnification

## ➔ Easy To Use — Easy To Integrate

- Triple laser beam guides for highest positioning accuracy
- Built-in LAN connectivity allows access to images from every PC on the practice network
- Compact footprint to fit into any practice



*Intuitive control panel for simple setup of panoramic and TMJ projections*



*Triple laser beam positioning guides for ease of use and consistent imaging*

## Latest Technology

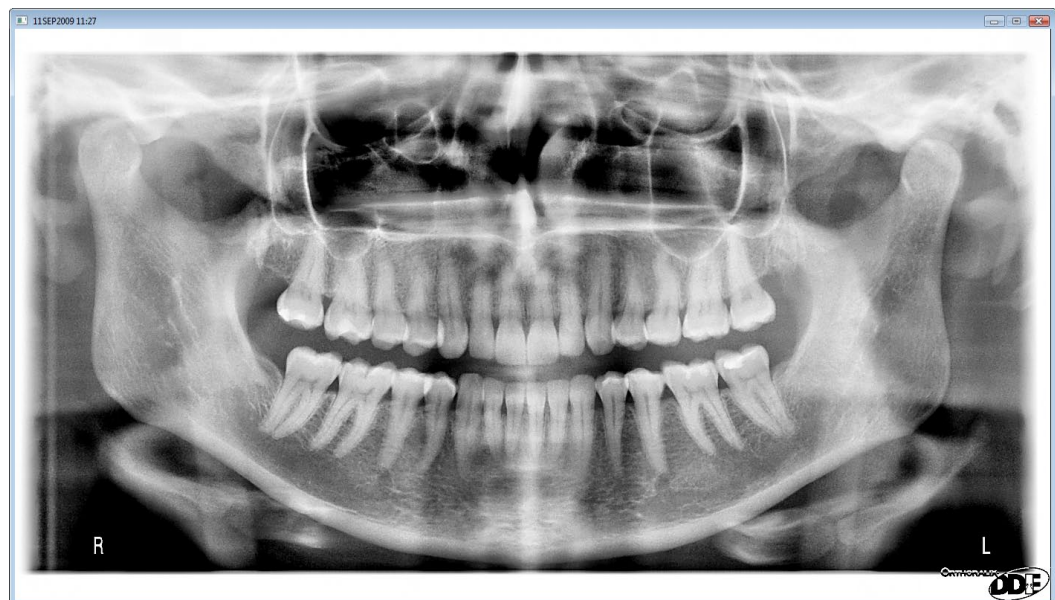
The Gendex Orthoralix 8500 DDE sports a contemporary design that links outstanding functionality and ease of use with pleasing high-tech aesthetics that simply look good in any practice. Images are captured digitally utilizing the latest CCD sensor technology. Four projections come standard: Adult Panoramic, Child Panoramic, Frontal TMJ and Lateral TMJ.

  
**KINEMAGIC™**  
Articulated Motion Technology

With the new 8500 DDE, focal detection is made possible by KINEMAGIC™ Articulated Motion Technology. This morphology-tracing feature precisely follows the patient's focal trough to ensure constant focus across the radiograph — resulting in a highly diagnostic image with consistent magnification.

## Enhanced Image Quality

Once the patient is accurately positioned, the Orthoralix 8500 DDE uses multi-motorized arm rotation that allows the x-ray generator to maneuver in a sophisticated path thus producing a more precise reproduction of the entire dento-maxillo-facial region. Throughout the exposure, magnification is kept constant for minimal distortion in radiographs.

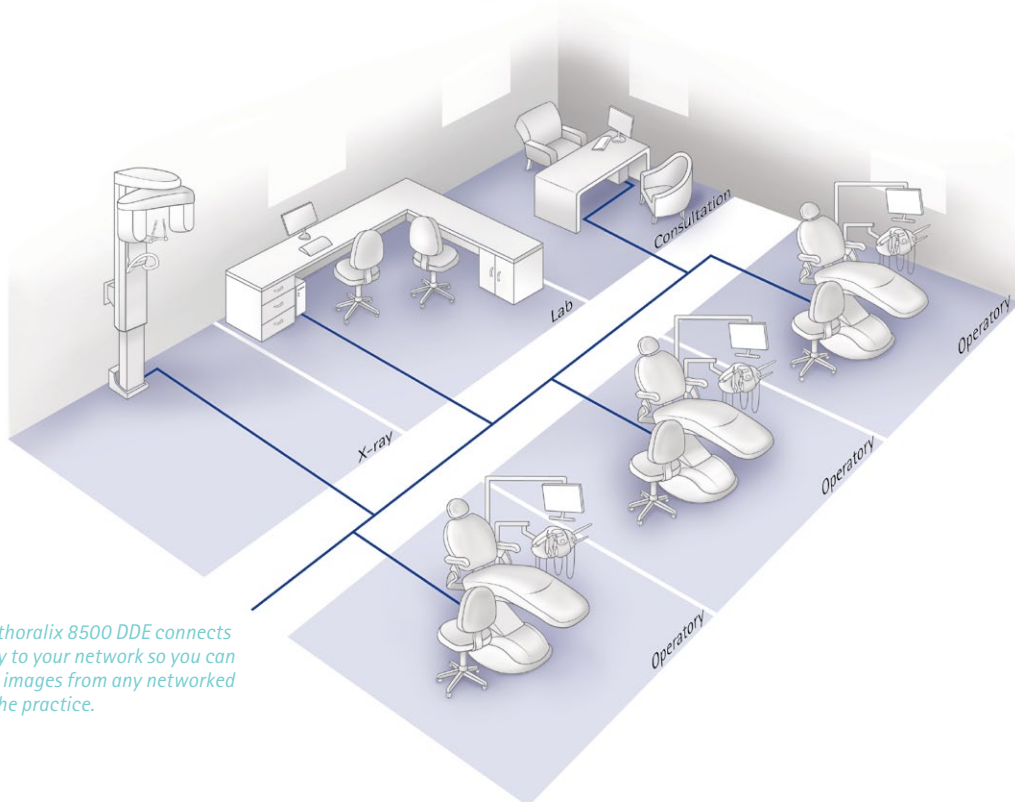


Standard Adult Panoramics

Images from the new 8500 DDE are clear and sharp due in part to the industry's smallest focal spot of 0.4 mm. Utilizing the latest software processing algorithms, the image data from this next generation panoramic system produces radiographs that accurately represent critical anatomies of patients.



Child Panoramic



*The Orthoralix 8500 DDE connects directly to your network so you can access images from any networked PC in the practice.*



*Easy-to-use lever actuated temple supports and improved bite guide for better patient stability and increased patient comfort*



*Adaptable patient positioning with the interchangeable bite guide and chin rest*

## Easy To Use — Easy To Integrate

Integration into your office is a breeze. The small footprint and motorized telescopic column lets you place the 8500 DDE where you need it — even when space is an issue.

Featuring convenient built-in LAN connectivity, the Orthoralix 8500 DDE hooks up to your network right out of the box without requiring a pan-dedicated network card to be installed into a PC. This allows for instant access to images on any computer connected to the practice network, saving time and increasing efficiency and productivity.

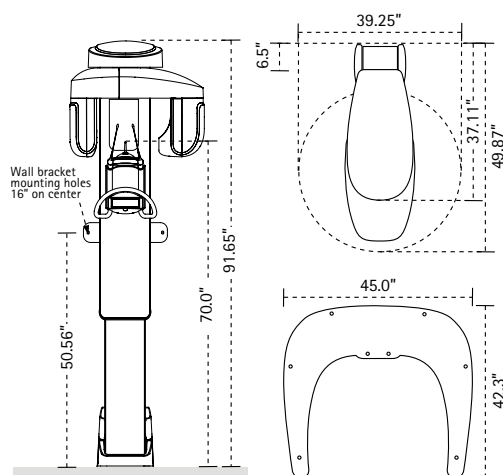
# Technical Specifications

Gendex Orthoralix® 8500 DDE

<b>kV</b>	60 – 80 kV
<b>mA</b>	4 – 10 mA
<b>Focal Spot</b>	0.4 mm, IEC 60336 (1993)
<b>Exposure Time</b>	11 s for the child pan, 12 s for the standard pan
<b>Line Voltage</b>	115 V AC, 60 Hz or 250 V AC, 50 Hz
<b>Maximum Line Power Rating</b>	10 A at 250 V, 15 A at 115 V
<b>Weight</b>	254 lbs (115 kg)
<b>Warranty</b>	2 years

The Orthoralix 8500 is a Class II Laser Product and complies with FDA performance standards for laser products except for deviations pursuant to Laser Notice No. 50, dated June 24, 2007. Laser radiation is emitted during positioning (Wavelength: 650nm, Output Power  $\leq 1\text{mW}$ ) and users and patients should not stare into the beam.

## Unit Dimensions



## Orthoralix 8500 DDE

<b>CCD Sensor Resolution</b>	10.4 lp/mm
<b>CCD Sensor Pixel Size</b>	48 $\mu\text{m}$
<b>CCD Sensor Active Area</b>	146 x 6 mm
<b>Image Resolution</b>	5.2 lp/mm
<b>Image Pixel Size</b>	96 $\mu\text{m}$
<b>Image Size</b>	1536 x 2725 pixels (Standard Pan)
<b>Minimum PC Requirements</b>	Pentium® II CPU, 400 MHz, 256 MB RAM
<b>Required Operating System</b>	Microsoft® Windows® Server 2003 or 2008, Windows® XP SP2 and above, Windows® Vista® Business



**Gendex Dental Systems**  
901 West Oakton Street  
Des Plaines, IL 60018 U.S.A.  
Tel 1-888-275-5286  
www.gendex.com